

Current part is item (6) on diagram. Available at www.oshkoshequipment.com

| (1) SMR Code | (2) Federal Stock Number | DESCRIPTION | UNIT of meas | (4) Qty inc. in Unit | 30-day DS maint allowance | 30-day GS maint allowance | 1-yr alw per 100 equip cnt- gcy | Depot maint alw per 100 equip | Illustration | | |
|------------------------------|-----------------------------------|---|--------------------|----------------------------------|------------------------------|------------------------------|---|--|---------------|----------------------|--------------------|
| Reference Number & Mfr. Code | | Usable On Code | | (a) 1-20 | (b) 21-50 | (c) 51-100 | (a) 1-20 | (b) 21-50 | (c) 51-100 | (a) Figure No. | (b) Item No. |
| | | GROUP 12-BRAKES | | | | | | | | | |
| | | 1209-AIR COMPRESSOR ASSEMBLY | | | | | | | | | |
| PAOZZ | 5310-655-9370 | WASHER, LOCK: COMPRESSOR TO SUPPORT MTG MS35340-47 (96906) | EA | 4 | * | * | * | * | * | 33 | 1 |
| PAOZZ | 5310-880-8189 | NUT, PLAIN, HEXAGON: COMPRESSOR TO SUP- PORT MTG MS51967-11 (96906) | EA | 4 | * | * | * | * | * | 33 | 2 |
| PAOZZ | 4310-439-6075 | COMPRESSOR, RECIPROCATING: 10899038 (19207) | EA | 1 | * | * | * | * | * | 33 | 3 |
| PAOZZ | 4730-202-9744 | ELBOW, PIPE TO TUBE: UNLOADER VALVE 201697 (06853) | EA | 1 | * | * | * | * | * | 33 | 4 |
| PAOZZ | 2530-863-3155 | COMPRESSOR, RECIPROCATING, POWER DRIVEN MS51322-1 (96906) | EA | 1 | * | * | * | * | * | 33 | 5 |
| PAOZZ | 2530-828-5027 | GASKET: DISCHARGE ELBOW MTG 7748823 (19207) | EA | 1 | * | * | * | * | * | 33 | 6 |
| PAOZZ | 4730-518-9043 | ELBOW, FLANG TO TUBE: COMPRESSOR DISCHARGE 5189043 (19207) | EA | 1 | * | * | * | * | * | 33 | 7 |
| PAOZZ | 4730-078-4097 | ELBOW, TUBE TO BAR: 8748837 (19207) | EA | 1 | * | * | * | * | * | 33 | 8 |
| PAOZZ | 4730-054-2571 | SLEEVE, COMPRESSION: MS39197-4 (96906) | EA | 1 | * | * | * | * | * | 33 | 9 |
| PAOZZ | 4730-054-2572 | NUT, TUBE COUPLING: MS39196-4 (96906) | EA | 1 | * | * | * | * | * | 33 | 10 |
| PAOZZ | 5310-959-4679 | WASHER, LOCK: DISCHARGE ELBOW AND INTAKE MANIFOLD MTG MS35340-45 (96906) | EA | 4 | * | * | * | * | * | 33 | 11 |
| PAOZZ | 5306-225-8503 | BOLT, MACHINE: DISCHARGE ELBOW MTG MS90725-39 (96906) | EA | 2 | * | * | * | * | * | 33 | 12 |
| PAOZZ | 2530-818-0508 | GASKET: INTAKE MANIFOLD MTG 7748826 (19207) | EA | 1 | * | * | * | * | * | 33 | 13 |
| PAOZZ | 5306-225-8497 | BOLT, MACHINE: INTAKE MANIFOLD MTG MS90725-32 (96906) | EA | 2 | * | * | * | * | * | 33 | 14 |
| PAOZZ | 4310-986-0013 | AIR CLEANER, INTAKE: COMPRESSOR MS53005-1 (96906) | EA | 1 | * | * | * | * | * | 33 | 15 |
| PAOZZ | 4730-018-9566 | PLUG, PIPE: MANIFOLD 103877 (18876) | EA | 1 | * | * | * | * | * | 33 | 16 |
| XAOZZ | | MANIFOLD: AIR CLEANER 8713231 (19207) | | 1 | | | | | | 33 | 17 |
| XAOZZ | | FILTER: AIR CLEANER 8713226 (19207) | | 1 | | | | | | 33 | 18 |
| XAOZZ | | PLATE: AIR CLEANER 8713230 (19207) | | 1 | | | | | | 33 | 19 |
| XAOZZ | | SPRING: AIR CLEANER 8713228 (19207) | | 1 | | | | | | 33 | 20 |
| KFOZZ | | GASKET: 8713229 (19207) | EA | 1 | SEE SET 2815-864-0299 | | | | | 33 | 21 |
| XAOZZ | | CAP: AIR CLEANER 8713227 (19207) | | 1 | | | | | | 33 | 22 |



Current part is item (6) on diagram. Available at www.oshkoshequipment.com

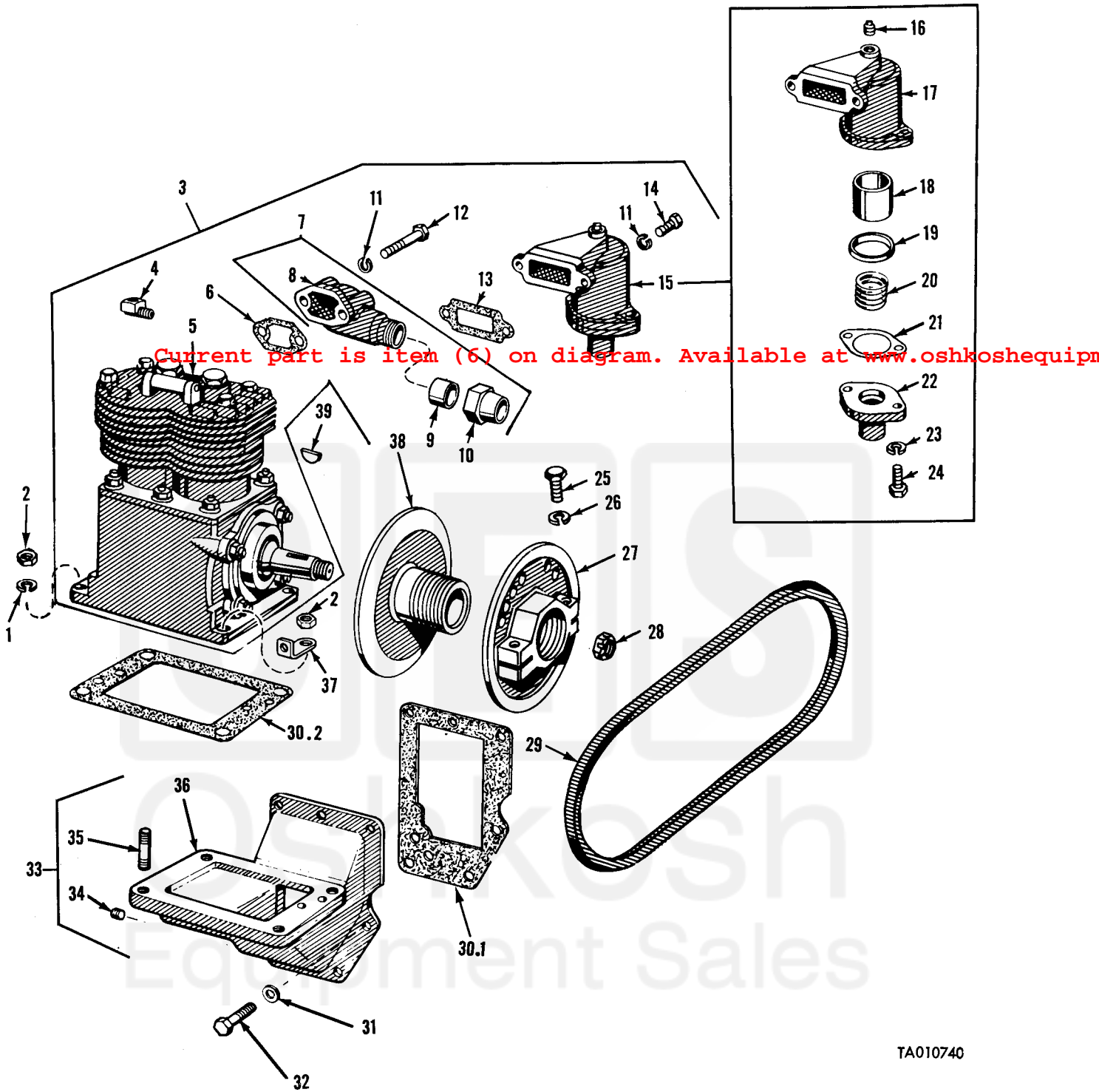


Figure 33. Air Compressor and Associated Parts.